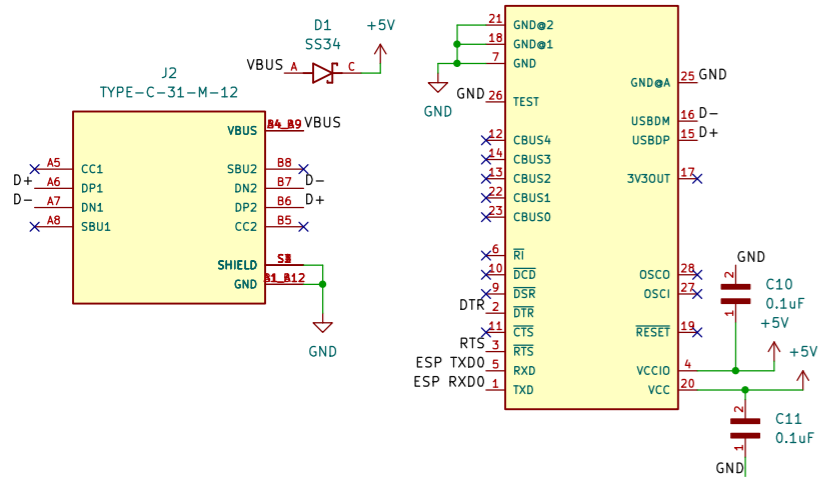
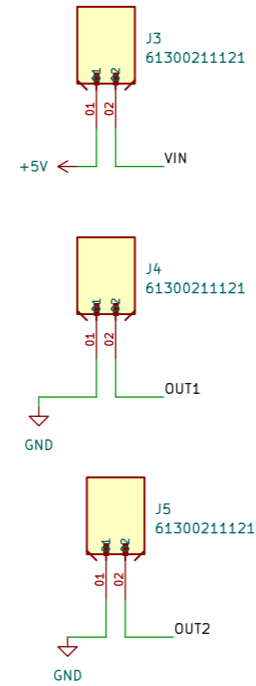


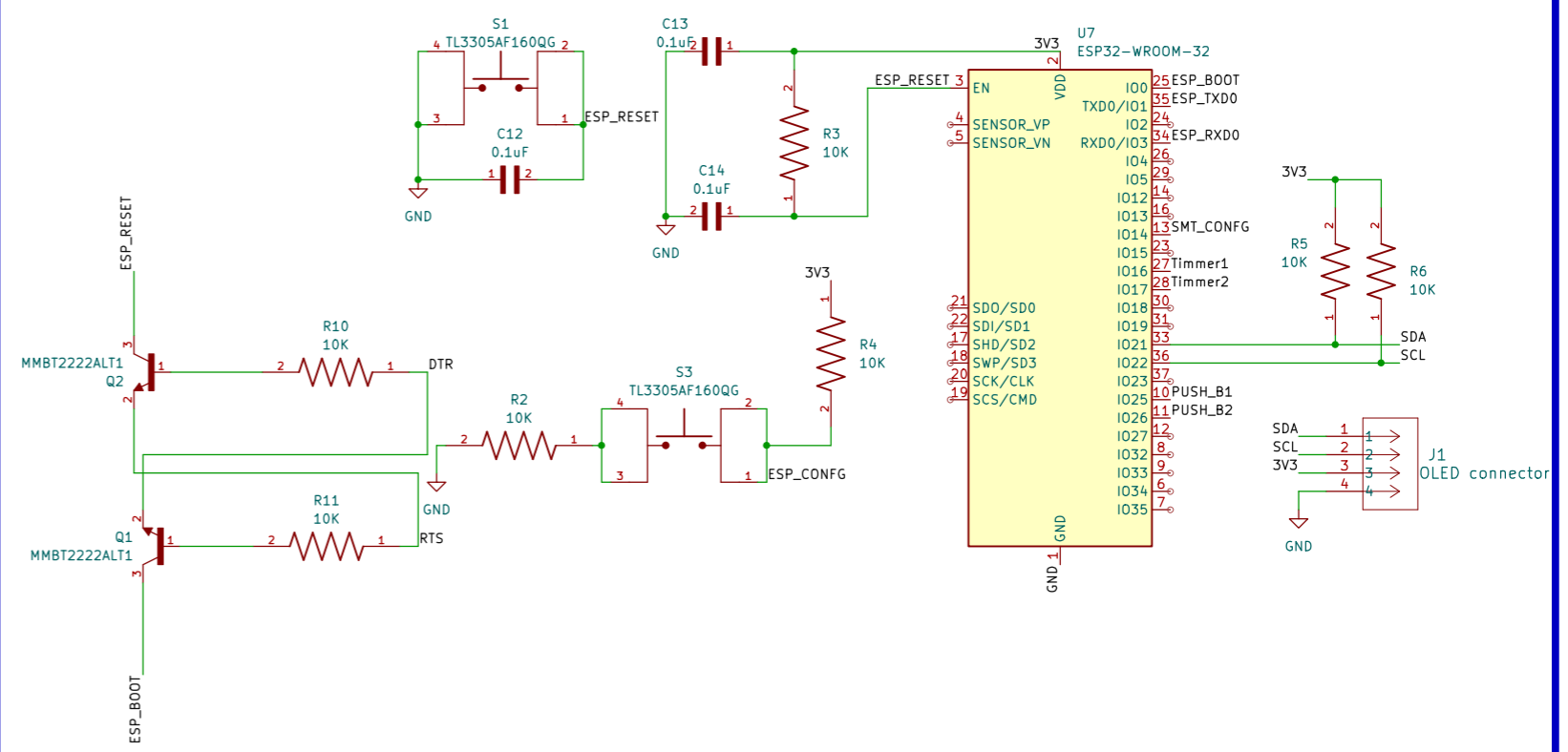
FTDI



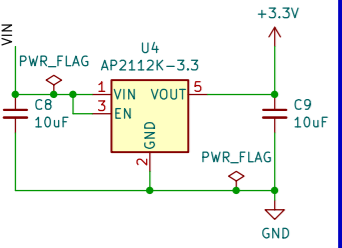
Power Switch



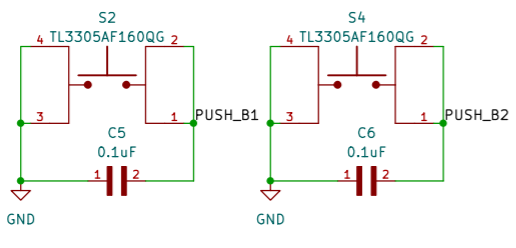
ESP32 Configuration



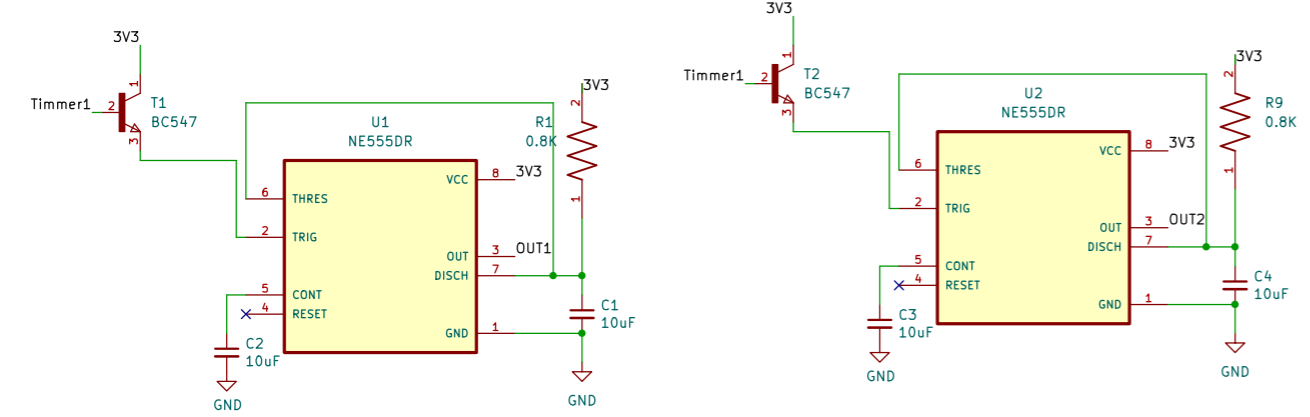
5V to 3.3V 600mA



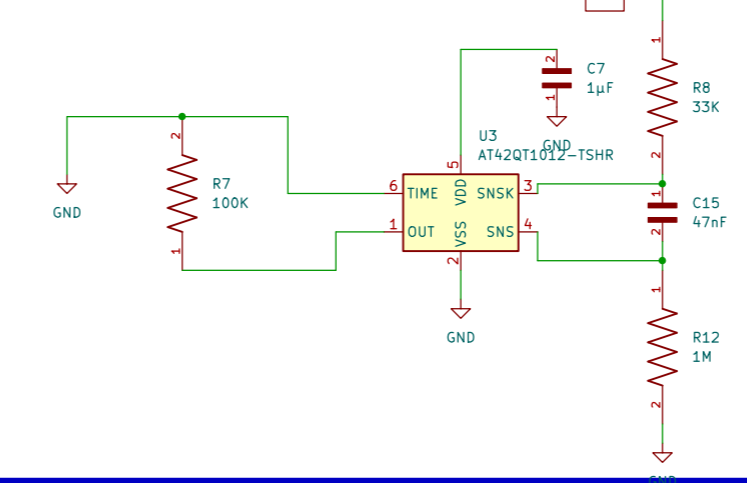
Button Configuration



555 Timmer Connection



Fluid Level Sensor



Boost Converter

